

Type GMS  
Non reversing direct on line motor starters

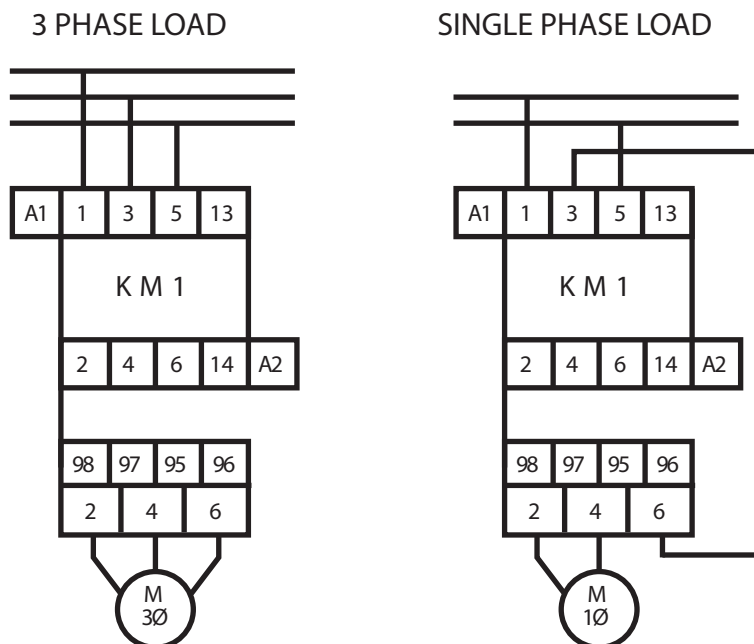


Disconnect power source before installing or working on this type of equipment. Installation and services should only be undertaken by a qualified electrical contractor.

**CAUTION!**

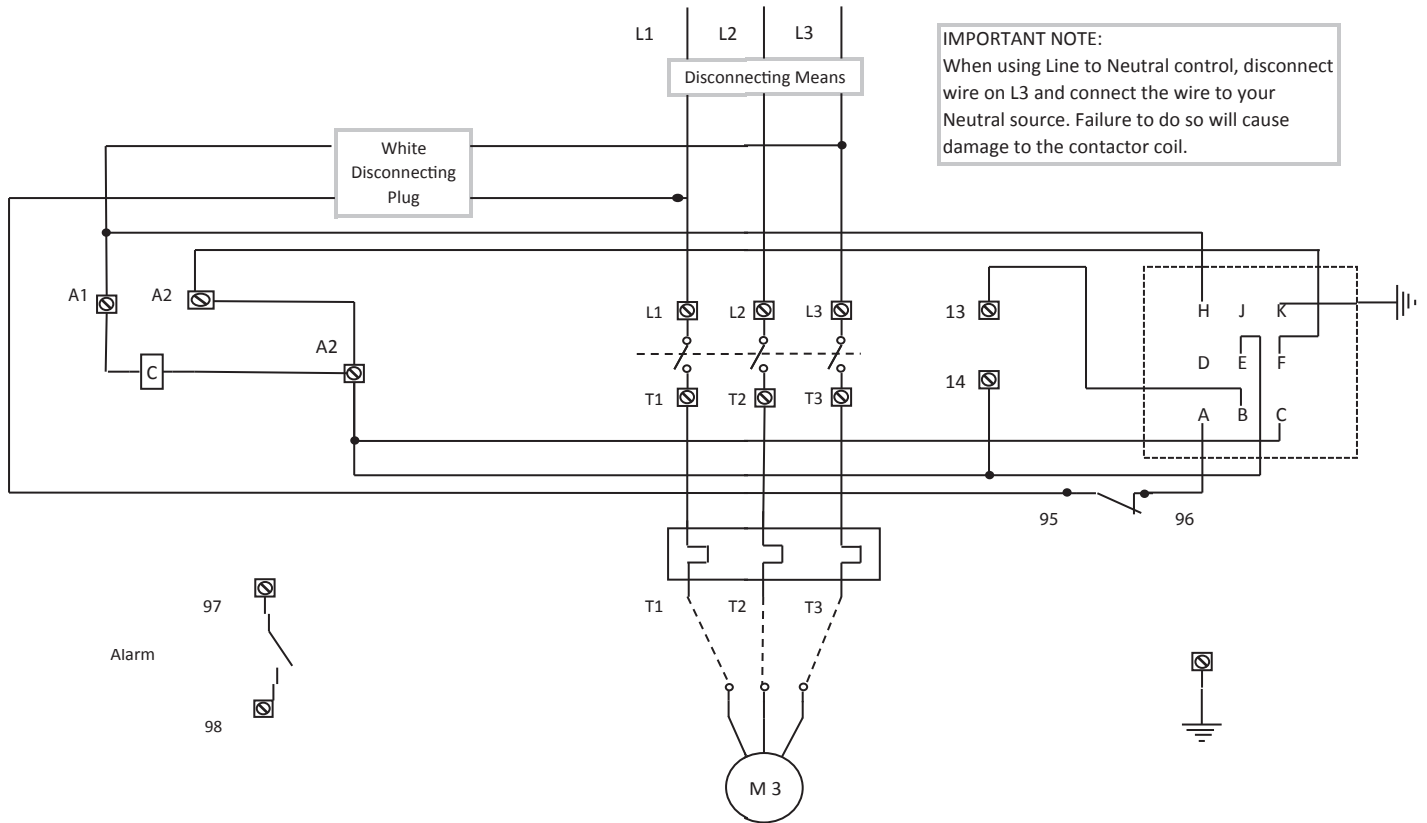
Terminal screws must be tightened to the manufacturers recommended torque settings and checked frequently. For safety purposes a ground connection must be connected to the grounding terminal. Local and national electrical codes relating to this type of product must be observed.

Power connections:

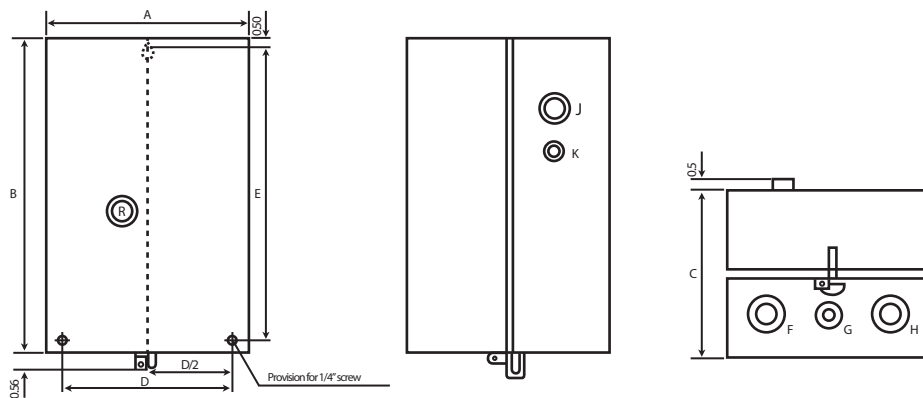


# Control Wiring Diagrams:

Figure 1: Line to Line & Line to Neutral Coil Voltage

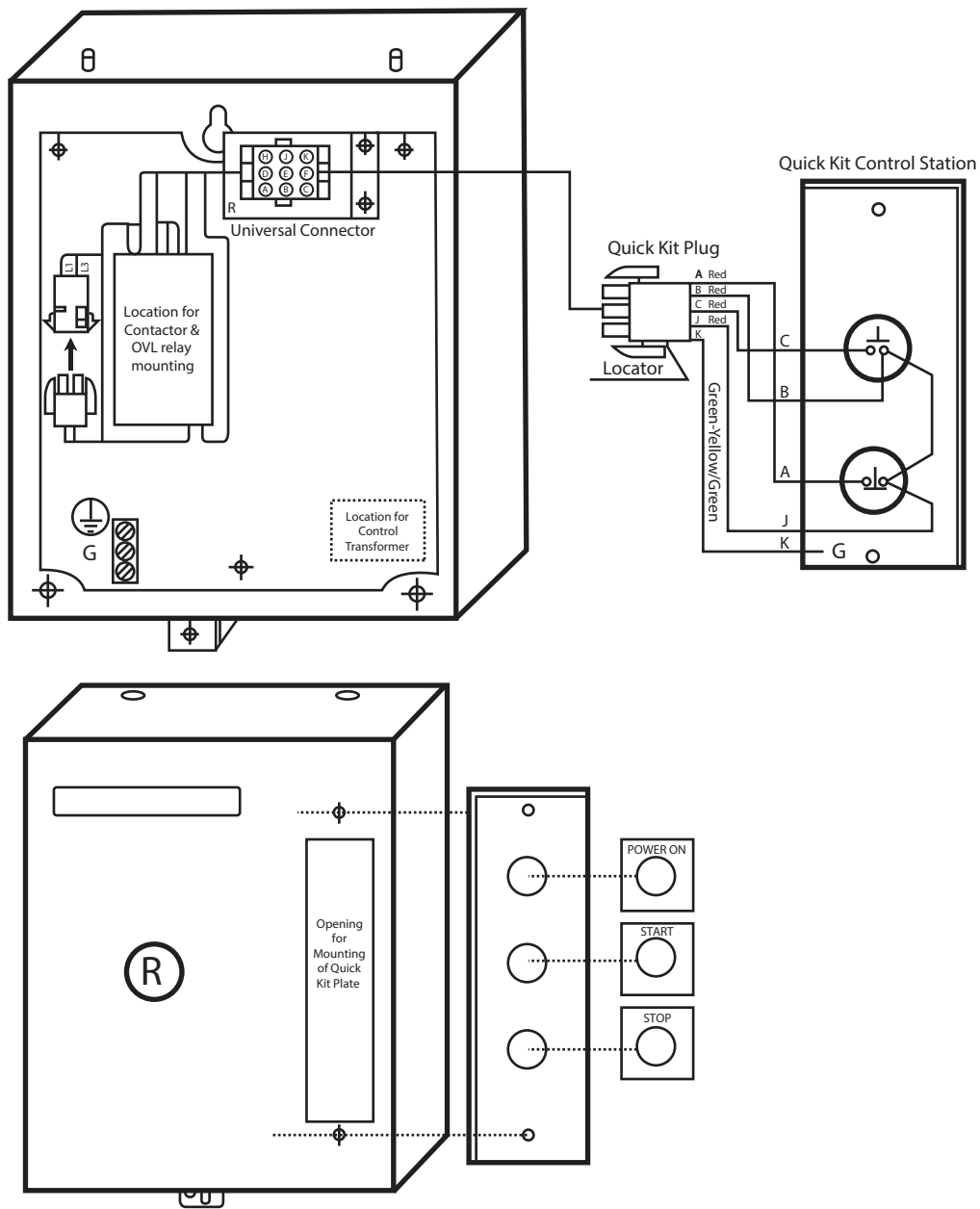


## Dimensional Details



Non-Reversing	A	B	C	D	E	F	G	H	J	K
GMS09 - 18	6.77	10.04	6.25	5.38	9.0	1-1¼	¼-¾	-	1-1¼	½-¾
GMS32 - 50	8.66	10.83	7.21	7.25	9.75	1¼-1½	½-¾	1-1¼	1-¼	½-¾
GMS80	10.63	13.98	7.21	9.22	12.94	1¼-1½	½-¾	1-1¼	1-¼	½-¾

# Front Panel Control "Quick Kit" Installation



Overloads

Table of Overloads